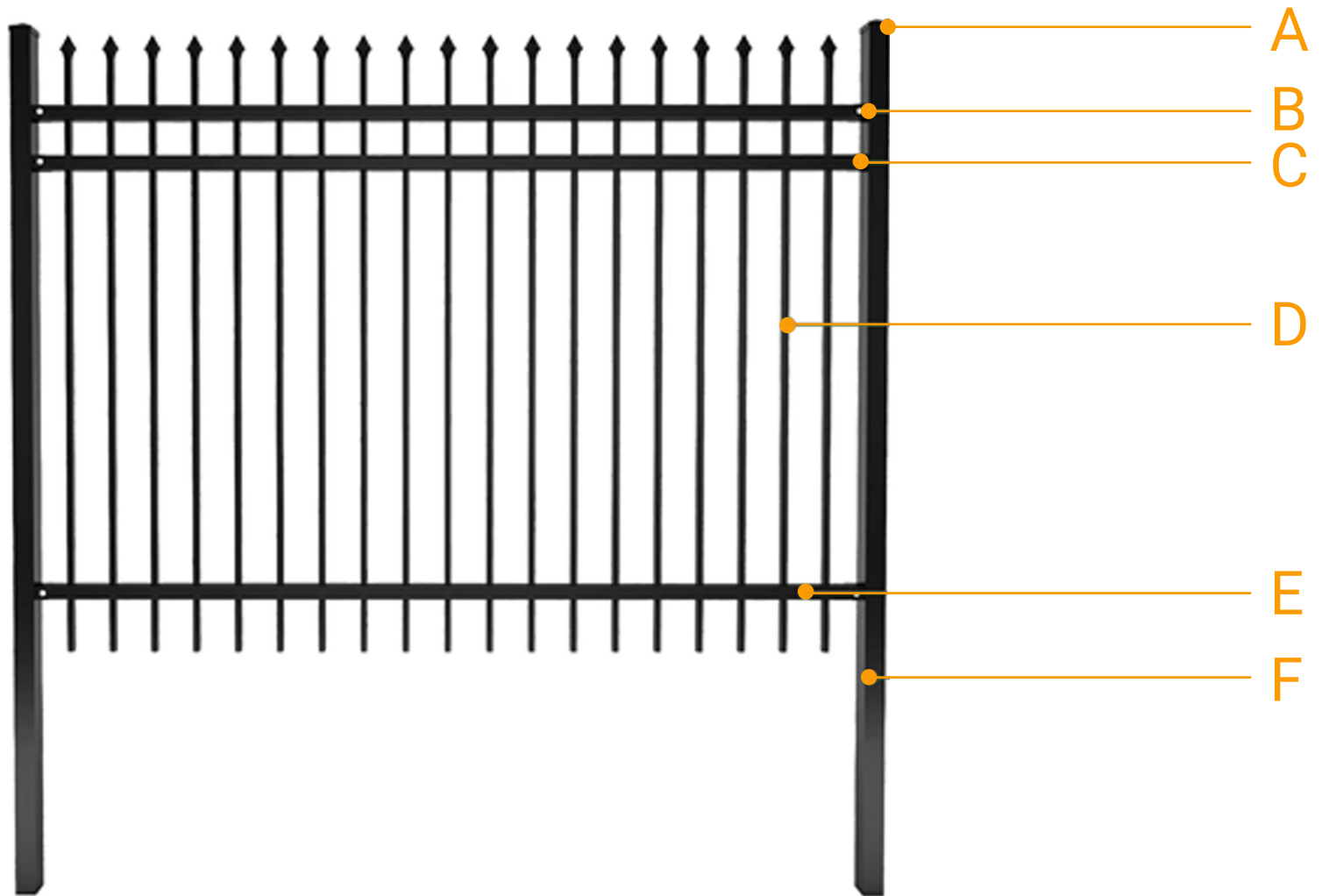




## **Metal Wrought Iron Fence**

[www.yiindustrial.com](http://www.yiindustrial.com)  
[industrial@nbstkg.com](mailto:industrial@nbstkg.com)



**A**

CAP

**B**

BOLT

**C**

NUT

**D**

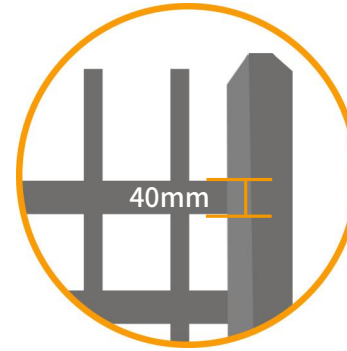
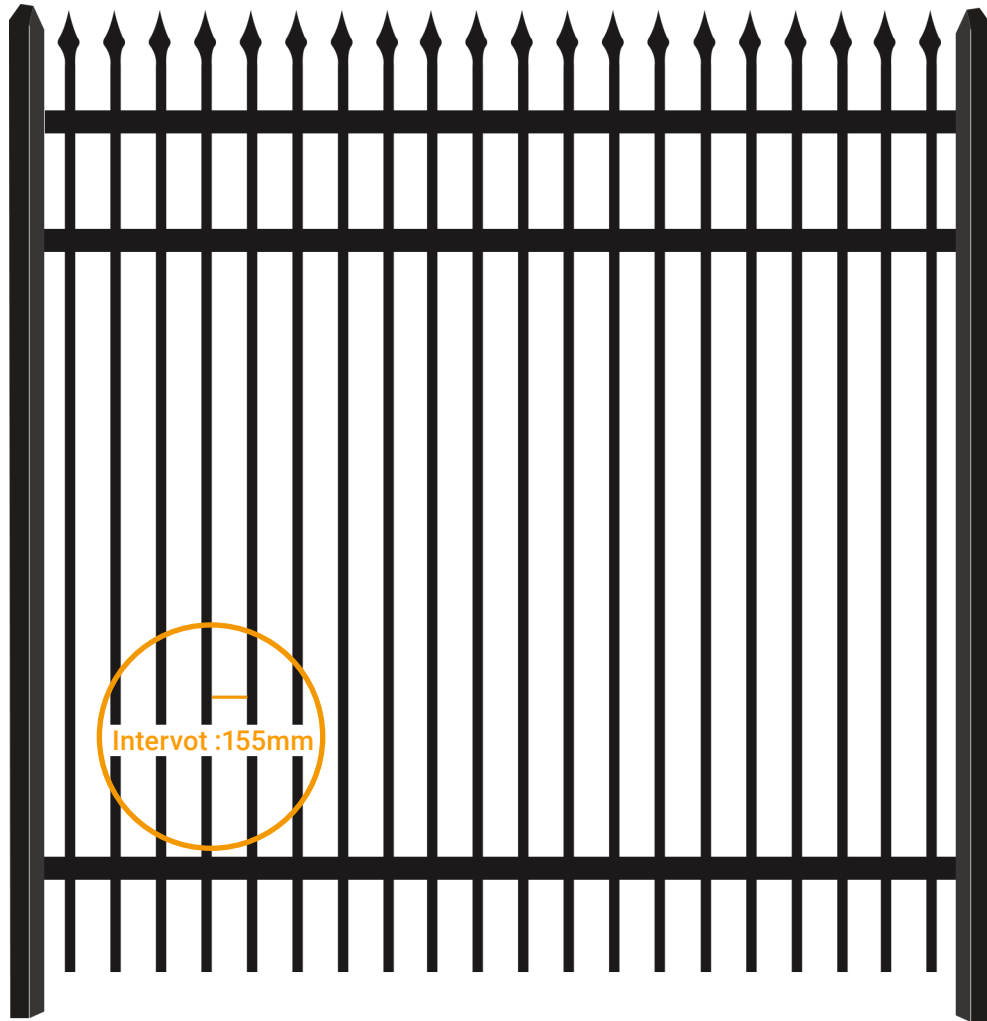
PICKET

**E**

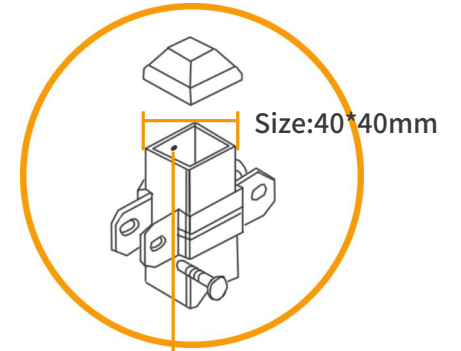
RAIL

**F**

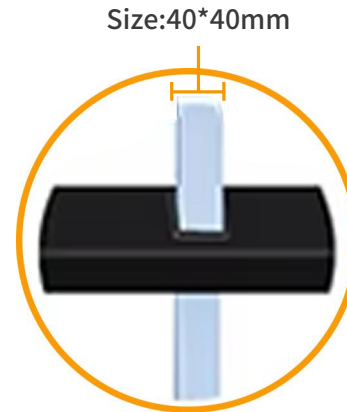
POST



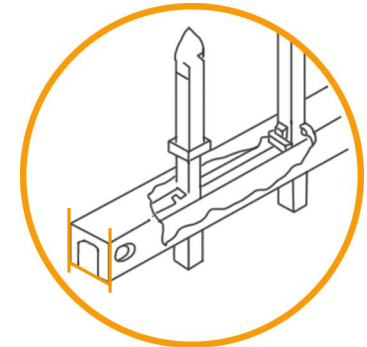
Post size: 50\*50mm  
Crossbar Size:40\*40mm



Thickness:  
0.7mm/0.9mm/.0mm



Thickness:  
0.3mm/0.5mm/0.6mm  
Black snap plug  
solid and waterproof

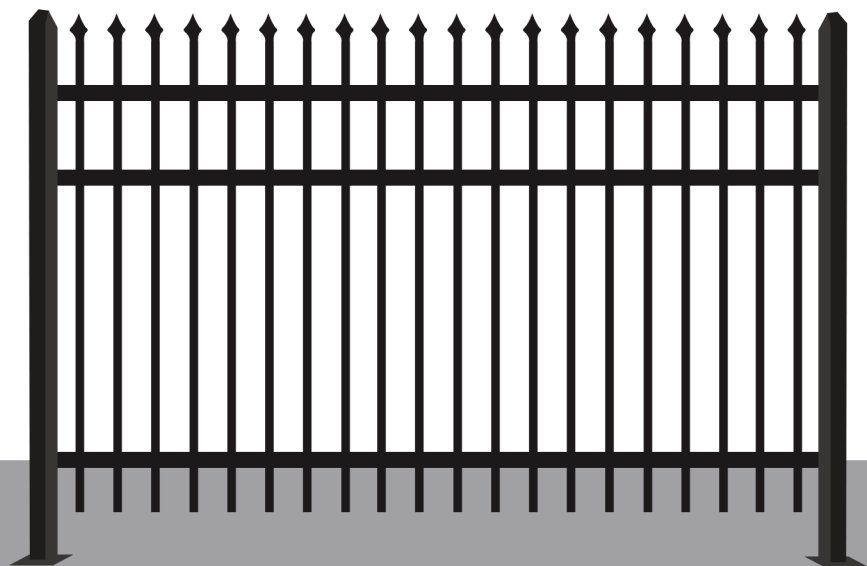


Crossbar Size: 40\*40mm  
Thickness:  
0.5mm/0.7mm/0.8mm

## 2).Post :

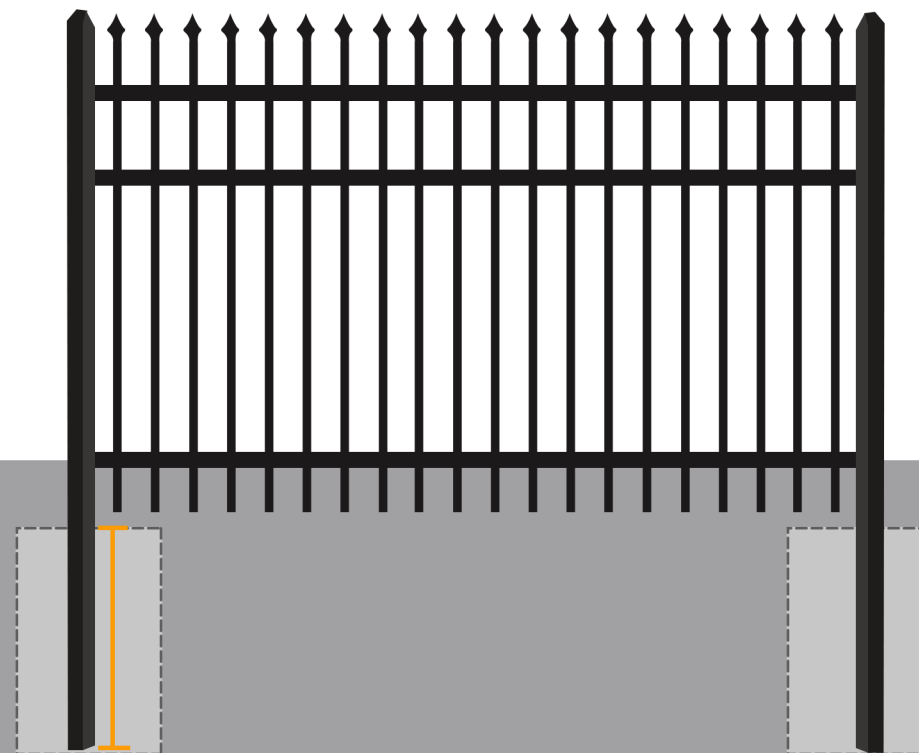
### Chassis :

The chassis is close to the ground



### Pre-Buried :

The pre-buried type is 30cm underground





<b>Material</b>	Aluminum alloy pipe or galvanized steel pipe
<b>Panel Size(H*L)</b>	1.2x1.8m,1.2x2.0m, 1.5x1.8m,1.5x2.0m,1.8x2.0m,1.8mx2.4m,2.1x2.4m,etc
<b>Horizontal rail</b>	30x30mm,40*40mm,45*45mm,2 rails,3 rails or 4 rails
	Thickness:0.8--2.0mm
<b>Picket tube</b>	15x15mm,19*19mm,25*25mm
	Thickness: 0.6--1.2mm
<b>Post</b>	50*50mm,60*60mm,80*80mm,100*100mm,Thickness:1.2--3.0mm
<b>Vertical pipe distance</b>	100mm,110mm,120mm
<b>Color</b>	Popular color is black ,all RAL color can be customized.
<b>Surface treatment</b>	Hot dipped galvanized, galvanized + powder coated

# Installation of Real Scenes

